



Technical Data

For detailed data and product description refer to the data sheets at www.pepperl-fuchs.com

General Data

Type of voltage	DC
Operating voltage	10 ... 30 V DC
No-load supply current	≤ 17 mA
Reverse polarity protection	✓
Operating current	0 ... 200 mA
Short-circuit protection	pulsing
Indication of the switching state	LED, yellow
Ambient temperature	-25 ... 70 °C (-13 ... 158 °F)
Housing material	PBT
Protection degree	IP68 / IP69K
Connection type	cable PVC , 2 m



Properties

- Ø12 mm housing
- 2 mm, flush and 4 mm, non-flush mountable versions
- DC, 3-wire switching output
- Cable version

Model Number

		NBB2-12GK50-E0	NBB2-12GK50-E2	NBN4-12GK50-E0	NBN4-12GK50-E2
Rated operating distance	2 mm	●	●		
	4 mm			●	●
Installation	flush	●	●		
	non-flush			●	●
Switching element function	NPN NO	●		●	
	PNP NO		●		●
Switching frequency	0 ... 1200 Hz			●	●
	0 ... 1500 Hz	●	●		

Approvals and Certificates

		NBB2-12GK50-E0	NBB2-12GK50-E2	NBN4-12GK50-E0	NBN4-12GK50-E2
UL approval	cULus Listed, General Purpose	●	●	●	●
CSA approval	cCSAus Listed, General Purpose	●	●	●	●
CCC approval	Products with a maximum operating voltage of ≤36 V do not bear a CCC marking because they do not require approval.				

Dimensions

Length L [mm]	50
Diameter D [mm]	12
Thread length l_t [mm]	40
Cap length l_1 [mm]	1
Connector area l_c [mm]	0
LED position	Pos. C

Accessories

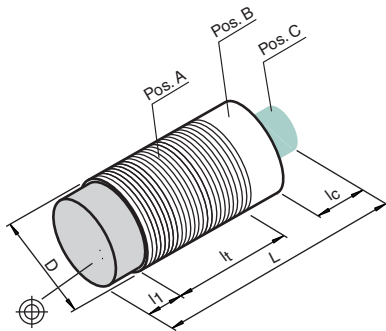
This and more accessories can be found in chapter 10

See pages from 972 ... for cordsets

See pages 1068 ... for mounting aids

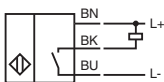
BF 12

Mounting flange, 12 mm

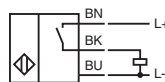


Electrical Connection

NBB2-12GK50-E0
NBN4-12GK50-E0



NBB2-12GK50-E2
NBN4-12GK50-E2



Date of issue 04/08/2015

Refer to "General Notes Relating to Pepperl+Fuchs Product Information".

Pepperl+Fuchs Group
www.pepperl-fuchs.com

USA: +1 330 486 0001
fa-info@us.pepperl-fuchs.com

Germany: +49 621 776 4411
fa-info@de.pepperl-fuchs.com

Singapore: +65 6779 9091
fa-info@sg.pepperl-fuchs.com

Courtesy of Steven Engineering, Inc - (800) 258-9200 - sales@steveng.com - www.stevenengineering.com